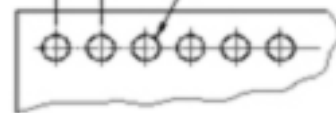


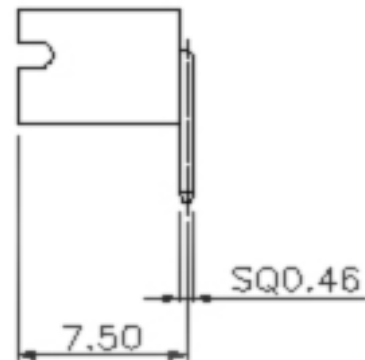
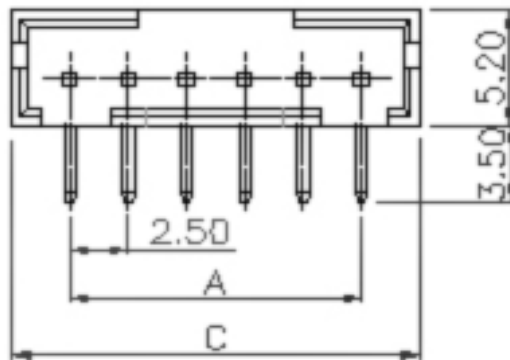
GA (LOCK ANGLE WAFER)



2.5 ± 0.1 $\phi 1.2 \pm 0.05$



P.C.B LAY OUT



(mm)

PART NO.	A	B	PART NO.	A	B
GA-02	2.5	7.5	GA-09	20.0	25.0
GA-03	5.0	10.0	GA-10	22.5	27.5
GA-04	7.5	12.5	GA-11	25.0	30.0
GA-05	10.0	15.0	GA-12	27.5	32.5
GA-06	12.5	17.5	GA-13	30.0	35.0
GA-07	15.0	20.0	GA-14	32.5	37.5
GA-08	17.5	22.5	GA-15	35.0	40.0

No.	DESCRIPTION	MATERIAL	Q'ty	TREATMENT	REMARKS
ITEM NAME		DRAW NAME		SCALE	1 / 1
MODEL		DRAW No.		DATE	
DESIGNED	CHECKED	CHECKED	APPROVED	FILE No.	GY GEO YOUNG
				REF* DWG	