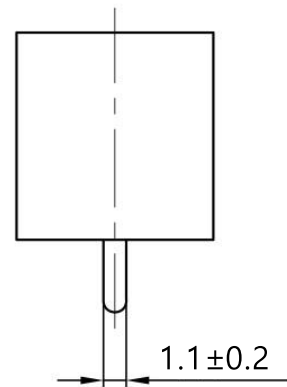
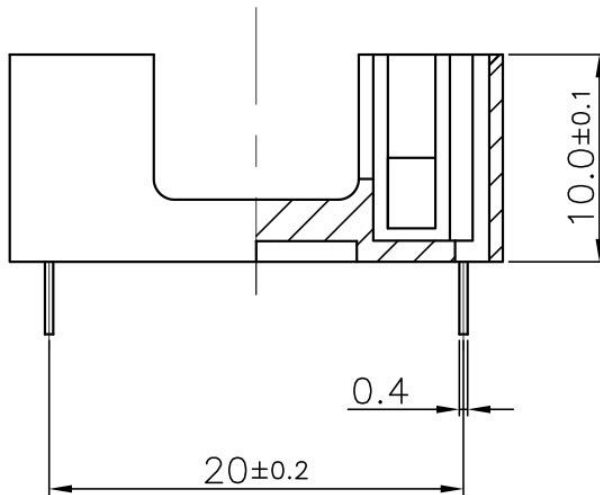
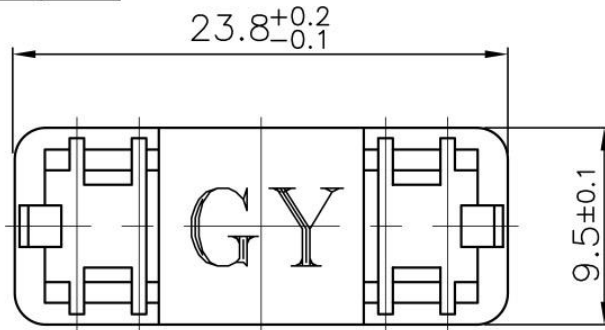


REV No.	REVISION NOTE	DATE	DESIGNED	CHECKED	CHECKED	APPROVED
△						
△						
△						

GENERAL TOLERANCE (단위:mm)	
1 - 4	±0.1
4 - 16	±0.2
16 - 63	±0.3
63 - 250	±0.4
250 - 1000	±0.7
1000 - 2000	±1.1



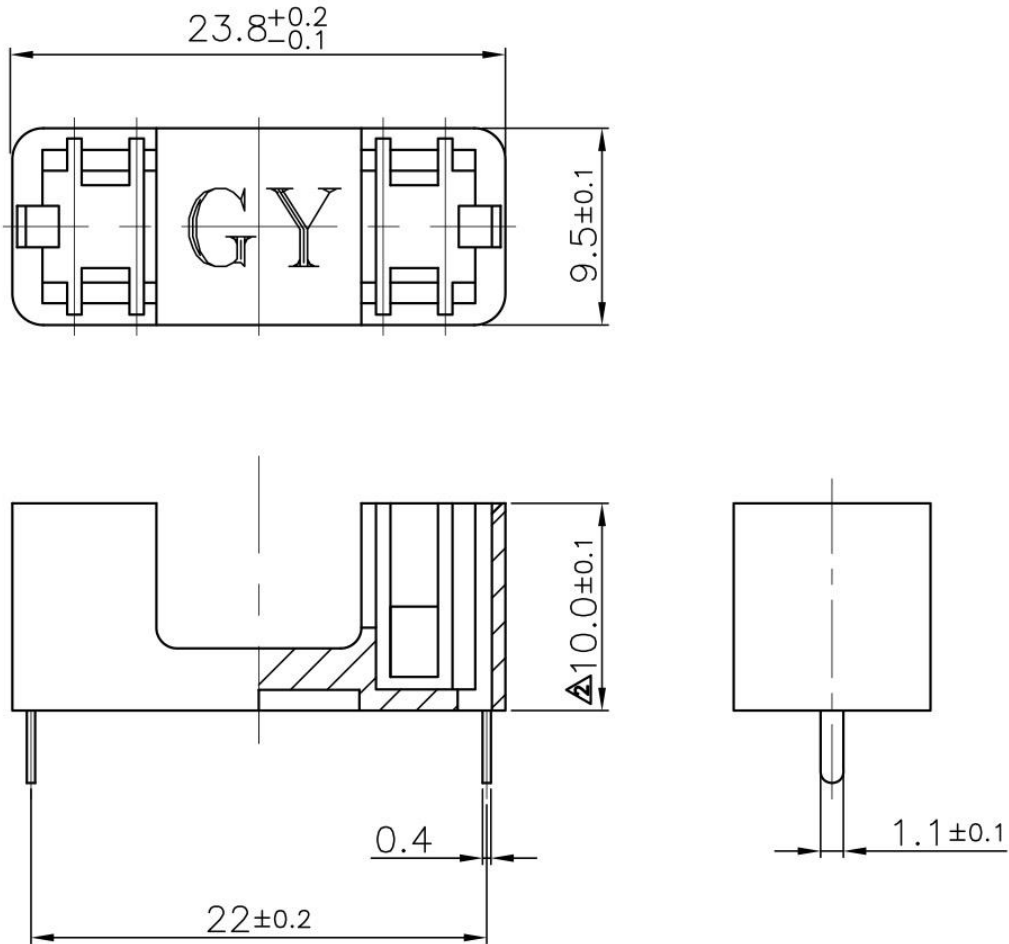
THIS DRAWING CONTAINS CONFIDENTIAL INFORMATION PROPRIETARY TO GEO YOUNG. IT MUST NOT BE REPRODUCED OR DISCLOSED TO OTHERS OR USED IN ANY OTHER WAY IN WHOLE OR PART EXCEPT AS AUTHORIZED IN WRITING BY GEO YOUNG.

2	GF205T(20)	BRASS(SN)		동(CU)하지 2~3Um 석(SN) 3~5Um ±0.1Um광택 도금	
1	WAFER	Nylon66		BLACK	
No.	DESCRIPTION	MATERIAL	Q'ty	TREATMENT	REMARKS
ITEM NAME	GF205B(20)	DWG NAME	GF205B(20)	SCALE	1 / 1
MODEL	STANDARD	DWG No.	STD01-054	DATE	2002.01.11
DESIGNED	CHECKED	CHECKED	APPROVED	FILE No.	FIT-STD01-054
				수주처	STANDARD

G1 GEO YOUNG

REV No.	REVISION NOTE	DATE	DESIGNED	CHECKED	CHECKED	APPROVED
▲						
▲						
▲						

GENERAL TOLERANCE (단위: mm)	
1 - 4	±0.1
4 - 16	±0.2
16 - 63	±0.3
63 - 250	±0.4
250 - 1000	±0.7
1000 - 2000	±1.1



THIS DRAWING CONTAINS CONFIDENTIAL INFORMATION PROPRIETARY TO GEO YOUNG. IT MUST NOT BE REPRODUCED OR DISCLOSED TO OTHERS OR USED IN ANY OTHER WAY IN WHOLE OR PART EXCEPT AS AUTHORIZED IN WRITING BY GEO YOUNG.

2	GF205T(22)	BRASS(SN)		동(CU)하지 2~3Um 석(SN) 3~5Um ±0.1Um광택 도금	
1	WAFER	Nylon66		BLACK	
No.	DESCRIPTION	MATERIAL	Q'ty	TREATMENT	REMARKS
ITEM NAME	GF205B(22)	DWG NAME	GF205B(22)	SCALE	1 / 1
MODEL	STANDARD	DWG No.	STD01-055	DATE	2002.01.11
DESIGNED	CHECKED	CHECKED	APPROVED	FILE No.	FIT-STD01-055
				수주처	STANDARD
				G1 GEO YOUNG	