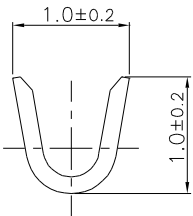
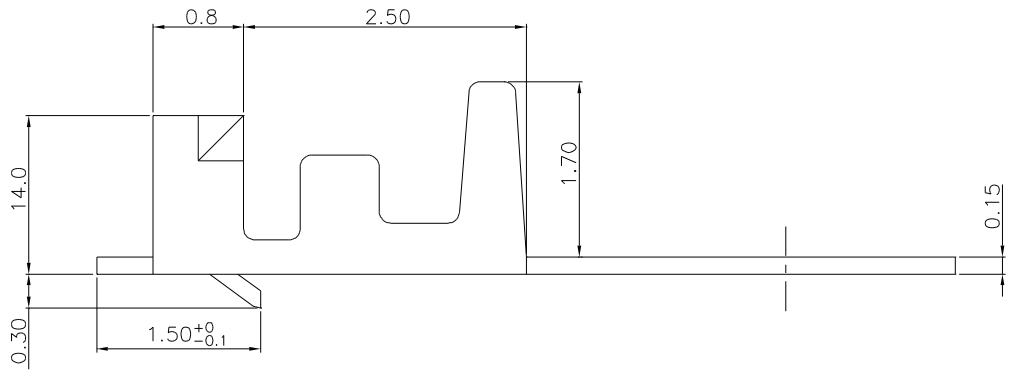
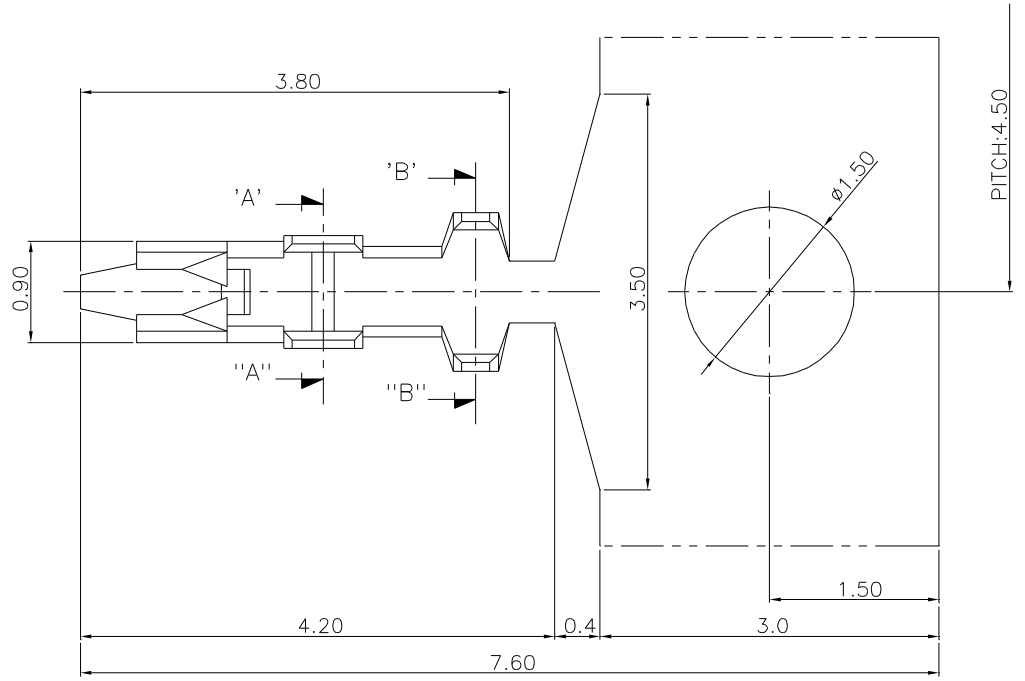
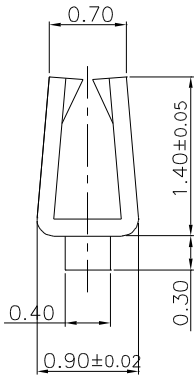


Section 'B'-'B'



Section 'A'-'A'



No.	DESCRIPTION	MATERIAL	Q'ty	TREATMENT	REMARKS
ITEM NAME		DRAW NAME		SCALE	
MODEL		DRAW No.		DATE	
DESIGNED	CHECKED	CHECKED	APPROVED	FILE No.	
				REF' DWG	