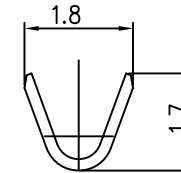
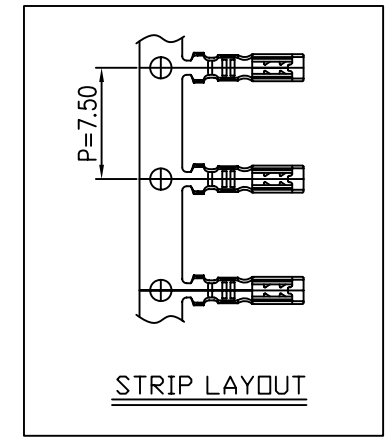


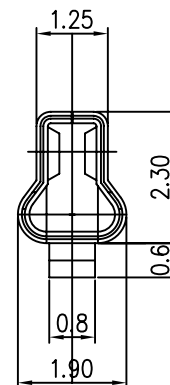
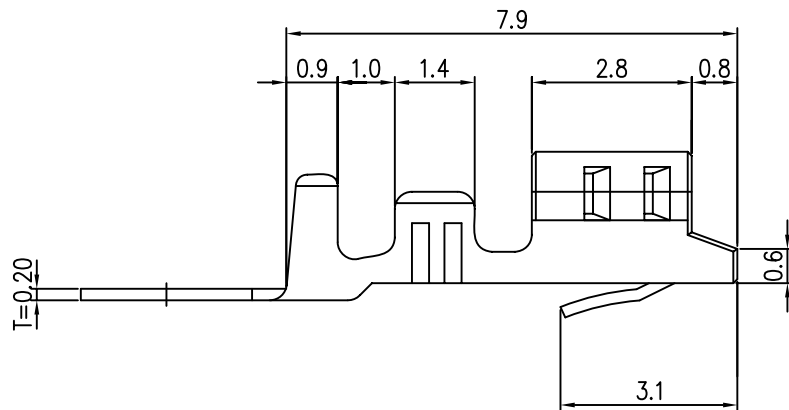
SEC A-A'



SEC B-B'



STRIP LAYOUT



NOTE

1. GENERAL TOLERLANCE ± 0.3
2. FINISH : TIN PLATED.
3. 사용전선 : AWG #22 - # 28.
4. 피복외경 : $\phi 1.2 - \phi 2.4$.
5. 관련부품
- HOUSING : GHL250-NN(R)

I/NO	TERMINAL DESCRIPTION	P, Bronze MATERIAL	TIN - PLATED TREATMENT	QTY	REMARK
GEOYOUNG			GTL-250R		
			SIZE A3		REV

LTR	REVISION RECORD	DATE	DR	CHK
-----	-----------------	------	----	-----