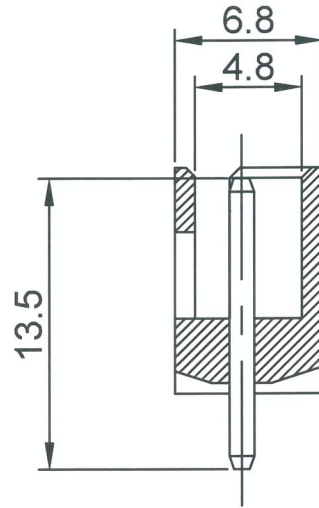
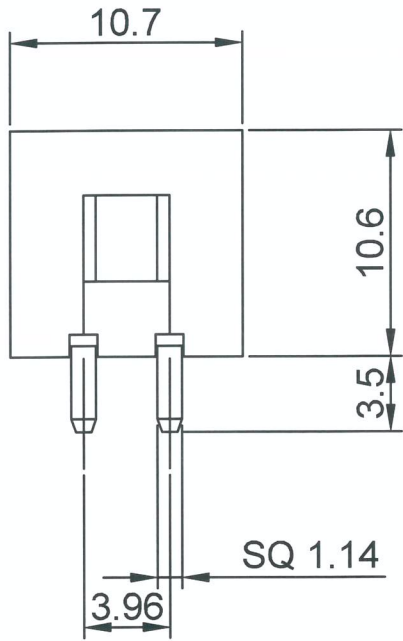
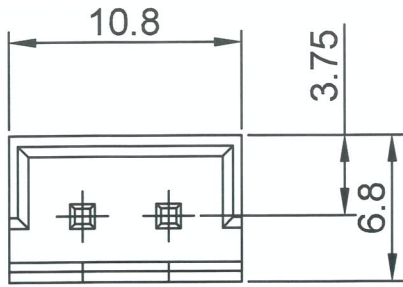



THIS DRAWING CONTAINS CONFIDENTIAL INFORMATION PROPRIETARY TO GEO YOUNG. IT MUST NOT BE REPRODUCED OR DISCLOSED TO OTHERS OR USED IN ANY OTHER WAY IN WHOLE OR PART EXCEPT AS AUTHORIZED IN WRITING BY GEO YOUNG.



	PIN	BRASS		COPPER UNDER COATED TIN PLATING		
	MOLD	NYLON 66				
NO.	DESCRIPTION	MATERIAL	Q'ty	TREATMENT	REMARKs	
④				SCALE	1 / 1	TITLE GYW396-02
④				DESIGNED		
④				CHECKED		DWAG NO.
④				APPROVED	<i>[Signature]</i>	 GEO YOUNG
LTR	REVISION	DATE	SIGN	DATE	2020. 04. 08.	