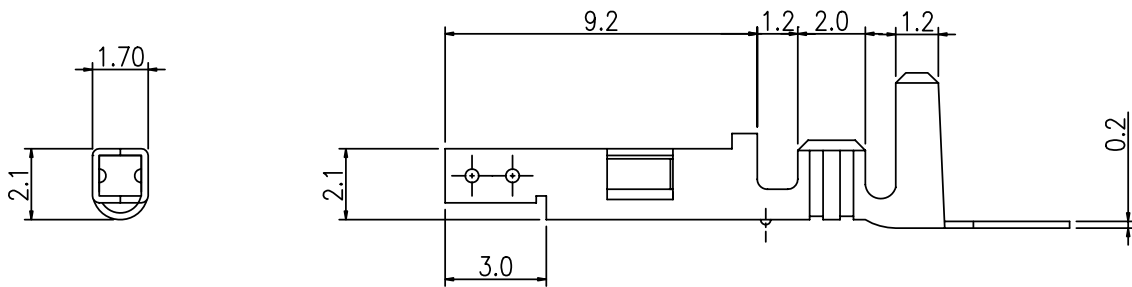
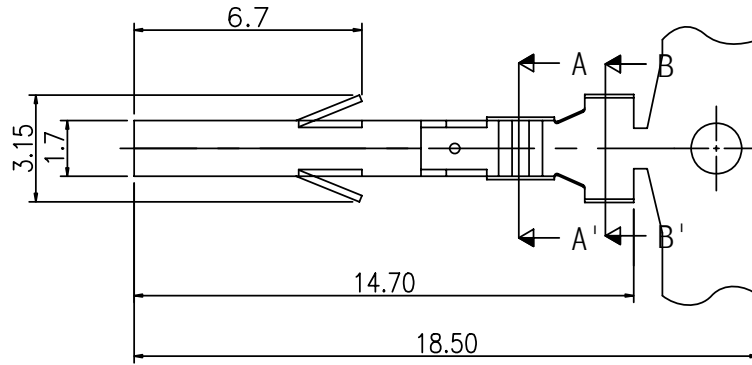
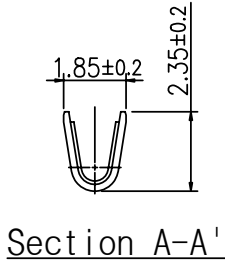
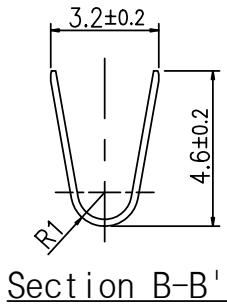


REV No.	REVISION NOTE	DATE	DESIGNED	CHECKED	APPROVED
△					



(mm)

PART NO	MATERIAL	WIRE SIZE	INSULATION O.D.	SUPPLY
LCT 03D	Tin Plated Brass	AWG#18 - AWG#28	φ1.8~φ3.1	5000EA/ROLL

1.	TERMINAL	Brass			LCT-03D
No.	DESCRIPTION	MATERIAL	Q'ty	TREATMENT	REMARKS
ITEM NAME	LCT- 03D	DWG NAME	LCT- 03D		SCALE 1 / 1
MODEL	TERMINAL	DWG No.	TER01-014-3		DATE 20 . . .
DESIGNED	CHECKED	CHECKED	APPROVED	FILE No.	
				REF' DWG	

THIS DRAWING CONTAINS CONFIDENTIAL INFORMATION PROPRIETARY TO GEO YOUNG. IT MUST NOT BE REPRODUCED OR DISCLOSED TO OTHERS OR USED IN ANY OTHER WAY IN WHOLE OR PART EXCEPT AS AUTHORIZED IN WRITING BY GEO YOUNG.