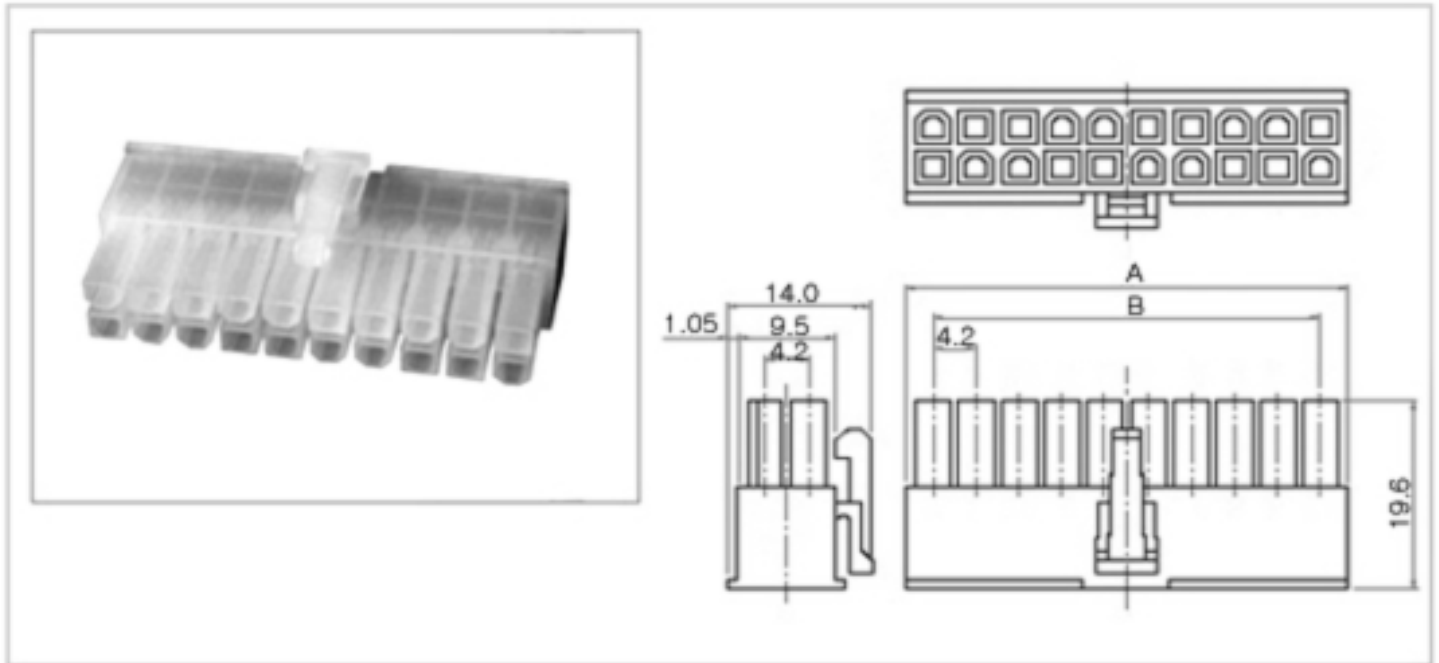


LH 03-420 (LOCK HOUSING)



PART NO.	A	B	PART NO.	A	B
LH 03-420-02P	5,4	-	LH 03-420-14P	30,6	25,2
LH 03-420-04P	9,6	4,2	LH 03-420-16P	34,8	29,4
LH 03-420-06P	13,8	8,4	LH 03-420-18P	39,0	33,6
LH 03-420-08P	18,0	12,6	LH 03-420-20P	43,2	37,8
LH 03-420-10P	22,2	16,8	LH 03-420-22P	47,4	42,0
LH 03-420-12P	26,4	21,0	LH 03-420-24P	51,6	46,2

(mm)

No.	DESCRIPTION	MATERIAL	Q'ty	TREATMENT	REMARKS
ITEM NAME	DRAW NAME		SCALE	1 / 1	
MODEL	DRAW No.		DATE		
DESIGNED	CHECKED	CHECKED	APPROVED	FILE No.	GY GEO YOUNG
				REF* DWG	