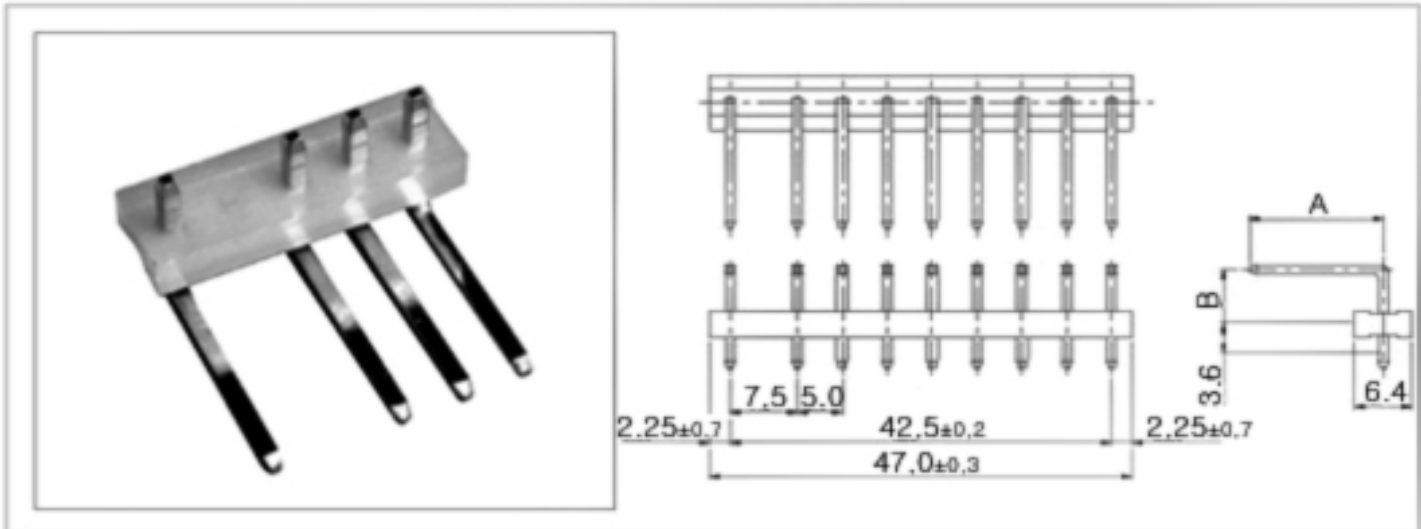
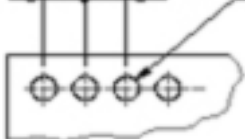


PHAP 055 (ANGLE POLARIZED PIN HEADER)



7.5±0.1 5.0±0.1 ϕ 1.8±0.05



P.C.B. HOLDER

+ N = Number of Contact (mm)

PART NO.	A	B
PHAP 055-254-(N)	15.0	8.1

No.	DESCRIPTION	MATERIAL	Q'ty	TREATMENT	REMARKS
ITEM NAME	DRAW NAME		SCALE	1 / 1	
MODEL	DRAW No.		DATE		
DESIGNED	CHECKED	CHECKED	APPROVED	FILE No.	GY GEO YOUNG
				REF* DWG	