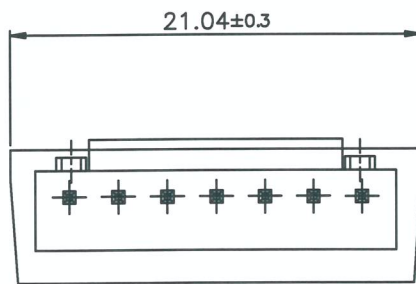
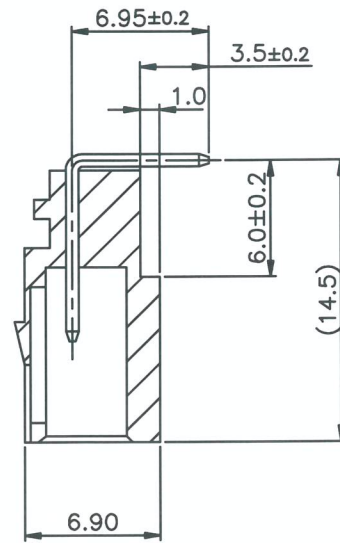
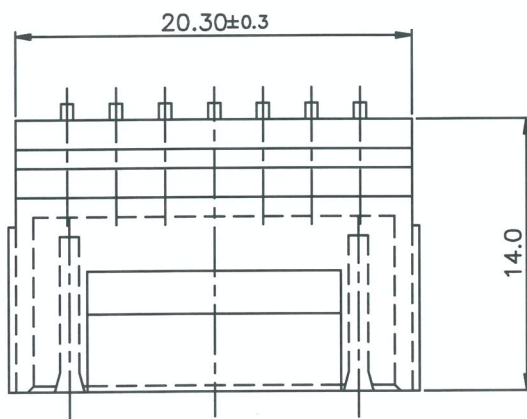
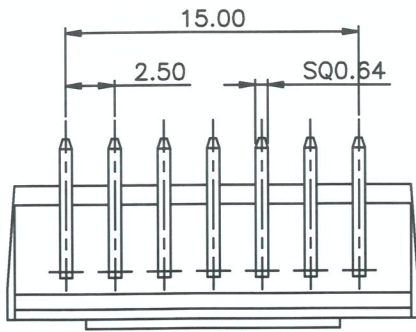


REV No.	REVISION NOTE	DATE	DESIGNED	CHECKED	APPROVED
①					
②					



THIS DRAWING CONTAINS CONFIDENTIAL INFORMATION PROPRIETARY TO GEO YOUNG. IT MUST NOT BE REPRODUCED OR DISCLOSED TO OTHERS OR USED IN ANY OTHER WAY IN WHOLE OR PART EXCEPT AS AUTHORIZED IN WRITING BY GEO YOUNG.

WAFER		NY66-UL94V0			
No.	DESCRIPTION	MATERIAL	Q'ty	TREATMENT	REMARKS
ITEM NAME	SGWL250-07P	DWG NAME	SGWL250-07P	SCALE	1 / 1
MODEL	WAFER(2.5mm)	DWG No.	STD02-099	DATE	2012.06.07.
DESIGNED	CHECKED	CHECKED	APPROVED	FILE No.	FIT-STD02-099
박환기				REF' DWG	

QS-051-002(1) A4, A3

거영산업(주)  
김자